

wall mounting socket outlet - housing dimensions 100x75

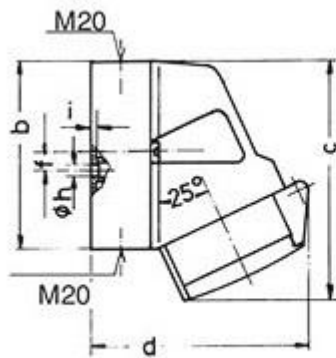
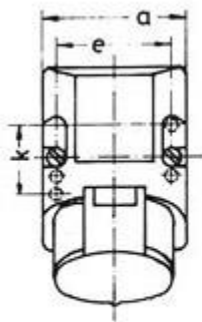


Product description	
BALS-Prd.-Nr	11308
EAN	4024941113083
Product group	GT wall mounting socket outlet
Current	16A
Number of poles	5p
Arrangement of the phases	3P+N+PE
Earth 'clock' position	6 h
Voltage	200/346 up to 240/415V
Frequency	50 and 60Hz

Product description	
Protection degree	IP44
Colour code	red
Colour of appliance	Collar red, Hinged lid red, Housing bottom grey, Housing top grey
Connection design	screw terminal
Maximum conductor size	4,0 qmm
Cable entry	1x Top entry M20 1x Bottom entry
Dimension of enclosure	100x75 mm (HxW)
Material of enclosure	Polyamide
Contacts	The contact carrier is made of polyamide, The contacts are brass

Logistics data	
Weight/pcs	0.266 kg / piece
Packaging	bag
Content amount	1 ST
EAN	4024941113083
Length	410 mm
Width	285 mm
Weight	0.266 kg
Packaging	carton
Content amount	10 ST
EAN	4024941969345

Logistics data	
Length	387 mm
Width	222 mm
Height	150 mm
Weight	2.853 kg
Volume	11,029.5 ccm



Amperes Poles	16		
	3	4	5
a	64	75	75
b	87	100	100
c	117	129	131
d	103	108	116
e	51	59	59
f	-	11	11
h	4.1	5.1	5.1
i	4.5	4.5	4.5
k	40	-	-
Conductor mm ² min	1.5	1.5	1.5
Conductor mm ² max	4	4	4